



Electrolux
PROFESSIONAL

Installation accessories
Stacking kit for 6 GN 1/1 oven
placed on gas 10 GN 1/1

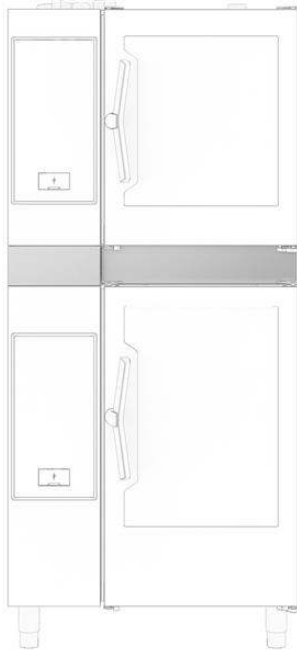
ITEM # _____

MODEL # _____

NAME # _____

SIS # _____

AIA # _____



922623 (STK6111011)

Stacking kit for 6 GN 1/1
oven placed on gas 10 GN
1/1 oven

Main Features

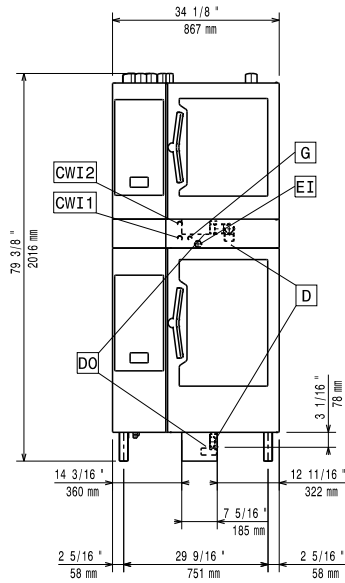
- Ideal for saving kitchen space.
- Includes: supports, external panels, flue and water pipes, drain connection and adjustable feet.
- The kit can be mounted on site.
- Typology (gas, electric) must be ordered considering the oven that will be placed at the bottom.

APPROVAL: _____

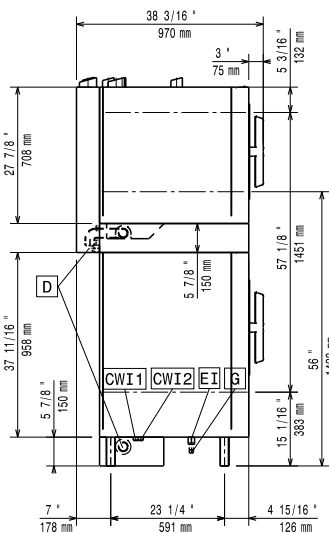


Experience the Excellence
www.electroluxprofessional.com

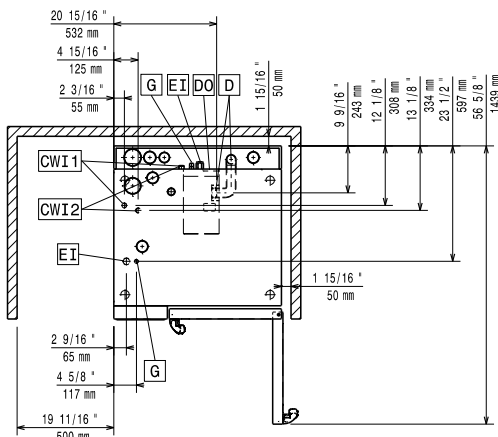
Front



Side



Top



Key Information:

External dimensions, Width:	
922623 (STK6111011)	867 mm
External dimensions, Depth:	895 mm
External dimensions, Height:	150 mm
Net weight:	47.6 kg
Shipping weight:	46 kg